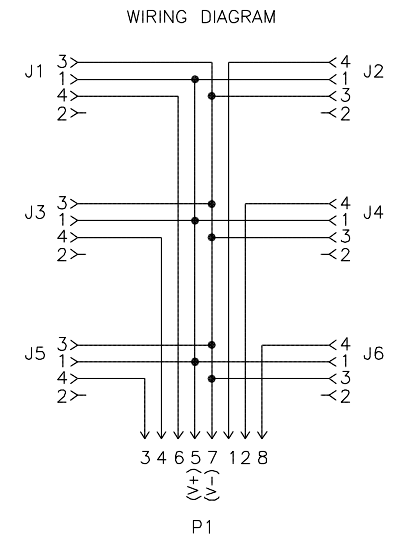
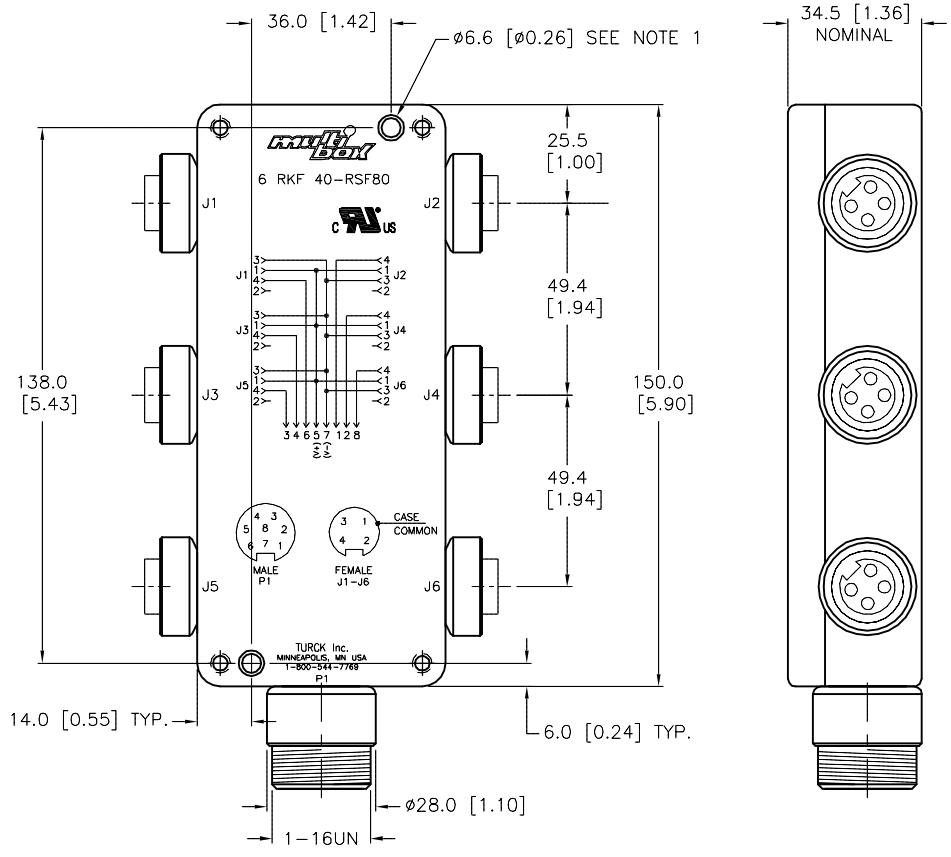


SPECIFICATIONS	
MATERIAL	
HOUSING MATERIAL	ALUMINUM ALLOY
HOUSING FINISH/COLOR	POWDER COAT/BLACK
RECEPTACLE HOUSING MAT'L/PLATING	BRASS/NICKEL
CONTACT CARRIERS	TPU
CONTACT MATERIAL/PLATING	BRASS/GOLD
ELECTRICAL DATA	
OPERATING VOLTAGE	250 VAC/300 VDC
OPERATING CURRENT	4.0 AMPS PER PORT, 9.0 AMPS TOTAL
MECHANICAL DATA	
PROTECTION CLASS to DIN 40050	IP 67 - ONLY WHEN ALL RECEPTACLES ARE COVERED WITH PLUGS OR CONNECTED
OPERATING TEMPERATURE	-30°C to +80°C (-22°F to +176°F)



NOTES:  
 1. CLEARANCE HOLE FOR M4 [#8] MOUNTING SCREWS (2 NOT INCLUDED).

SOURCE DRAWING - FOR REFERENCE ONLY

RELATED DOCUMENTS 1. 2. 3. 4.	3RD ANGLE PROJECTION	THIS DRAWING IS CONFIDENTIAL AND THE PROPERTY OF TURCK INC. USE OF THIS DOCUMENT WITHOUT WRITTEN PERMISSION IS PROHIBITED.	3000 CAMPUS DRIVE MINNEAPOLIS, MN 55441 1-800-544-7769 (763) 553-7300 (763) 553-0708 fax www.turck.us	
			DRFT PJ	DATE 05/05/06
MATERIAL SEE SPECIFICATIONS	ALL DIMENSIONS DISPLAYED ON THIS DRAWING ARE FOR REFERENCE ONLY	APVD	SCALE 1=2	IDENTIFICATION NO. U0949-27
FINISH SEE SPECIFICATIONS	CONTACT TURCK FOR MORE INFORMATION	UNIT OF MEASUREMENT <b>MILLIMETER [ INCH ]</b>		REV F
F UPDATE BOX HEIGHT RDS 07/08/11 35626	BY DATE ECO NO.	DO NOT SCALE THIS DRAWING		FILE: U0949-27 SHEET 1 OF 1

F	UPDATE BOX HEIGHT	RDS	07/08/11	35626
REV	DESCRIPTION	BY	DATE	ECO NO.